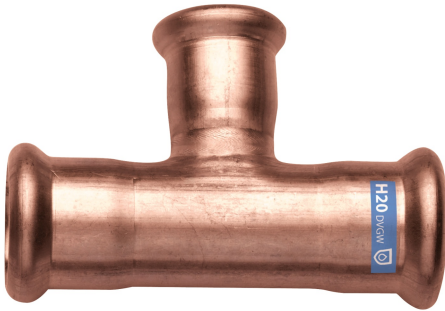
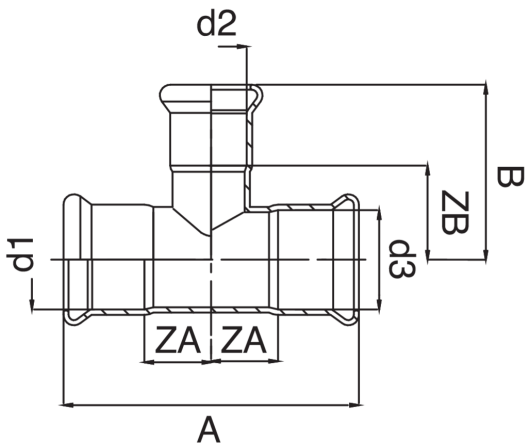


T reducido H/H/H de cobre.



### Especificaciones técnicas



D1 X D2 X D3	BAG	MASTER BOX	CÓDIGO	A	B	ZA	ZB
12 x 15 x 12	10	100	ZM9131012015012	56	27	10	7
15 x 12 x 12	10	100	ZM9131015012012	51	25	6,5	7
15 x 12 x 15	10	100	ZM9131015012015	64	32	13	14
15 x 15 x 12	5	70	ZM9131015015012	68	32	15	12
15 x 18 x 15	5	80	ZM9131015018015	62	31	11	11
15 x 22 x 15	5	50	ZM9131015022015	74	34	17	11
18 x 12 x 15	5	50	ZM9131018012015	60	29	10	11
18 x 12 x 18	10	80	ZM9131018012018	68	35	15	17
18 x 15 x 15	10	80	ZM9131018015015	60	29	10	9
18 x 15 x 18	10	80	ZM9131018015018	68	35	14	15
18 x 18 x 15	10	80	ZM9131018018015	74	34	17	14
18 x 22 x 18	5	50	ZM9131018022018	74	34	17	11
22 x 12 x 22	5	60	ZM9131022012022	74	34	16,5	16
22 x 15 x 15	5	50	ZM9131022015015	83	38	20	18
22 x 15 x 18	5	50	ZM9131022015018	81	38	19	18
22 x 15 x 22	5	50	ZM9131022015022	74	38	15,5	18
22 x 18 x 15	5	50	ZM9131022018015	81	38	19	18
22 x 18 x 18	5	50	ZM9131022018018	81	38	19	18
22 x 18 x 22	5	50	ZM9131022018022	74	38	15,5	18
22 x 22 x 15	5	50	ZM913102202015	84	37	20,5	14
22 x 22 x 18	5	50	ZM913102202018	83	37	20	14
22 x 28 x 22	5	35	ZM9131022028022	78	38	16	15
28 x 15 x 22	5	40	ZM9131028015022	85	41	19,5	21
28 x 15 x 28	5	30	ZM9131028015028	84	41	20,5	21
28 x 18 x 22	5	40	ZM9131028018022	85	41	19,5	21
28 x 18 x 28	5	30	ZM9131028018028	84	41	19	18
28 x 22 x 22	5	30	ZM9131028022022	85	41	19,5	18
28 x 22 x 28	5	30	ZM9131028022028	84	41	22	24
28 x 28 x 15	5	40	ZM9131028028015	92	42	24,5	19
28 x 28 x 22	5	30	ZM9131028028022	88	42	21	19
35 x 15 x 35	5	25	ZM9131035015035	90	44	22	24
35 x 18 x 35	5	25	ZM9131035018035	90	44	20,5	22
35 x 22 x 22	5	20	ZM9131035022022	92	45	21,5	22
35 x 22 x 28	5	25	ZM9131035022028	92	45	21,5	22
35 x 22 x 35	5	20	ZM9131035022035	90	45	25,5	21
35 x 28 x 28	5	20	ZM9131035028028	100	44	25,5	21
35 x 28 x 35	5	20	ZM9131035028035	100	44	25	28
35 x 35 x 22	5	20	ZM9131035035022	100	50	25,5	24
35 x 35 x 28	5	20	ZM9131035035028	100	50	25,5	24
42 x 15 x 42	1	15	ZM9131042015042	100	48	23,5	25
42 x 22 x 42	1	15	ZM9131042022042	100	48	29,5	26
42 x 28 x 42	1	10	ZM9131042028042	112	49	28	24
42 x 35 x 35	1	20	ZM9131042035035	112	49	28	24
42 x 35 x 42	1	10	ZM9131042035042	112	50	24	28
54 x 22 x 54	1	10	ZM9131054022054	120	54	31	31
54 x 28 x 54	1	10	ZM9131054028054	120	55	31	32
54 x 35 x 54	1	10	ZM9131054035054	122	55	30,5	29
54 x 42 x 54	1	10	ZM9131054042054	138	64	36,5	34
66,7 x 28 x 66,7	1	5	ZM9131067028067	182	76	46	53
66,7 x 35 x 66,7	1	5	ZM9131067035067	182	79	46	56
66,7 x 42 x 66,7	1	5	ZM9131067042067	182	82	46	52
66,7 x 54 x 66,7	1	5	ZM9131067054067	182	91	46	56
76,1 x 22 x 76,1	1	5	ZM9131076022076	148	62	48	41
76,1 x 28 x 76,1	1	4	ZM9131076028076	152	65	52	42
76,1 x 35 x 76,1	1	4	ZM9131076035076	160	67	60	41
76,1 x 42 x 76,1	1	4	ZM9131076042076	172	80	72	50
76,1 x 54 x 76,1	1	5	ZM9131076054076	218	85	118	50
108 x 54 x 108	1	2	ZM9131108054108	234	125	94	75

## Aplicaciones



DRINKING WATER



HEATING



HVAC



COMPRESSED AIR



FIREFIGHTING