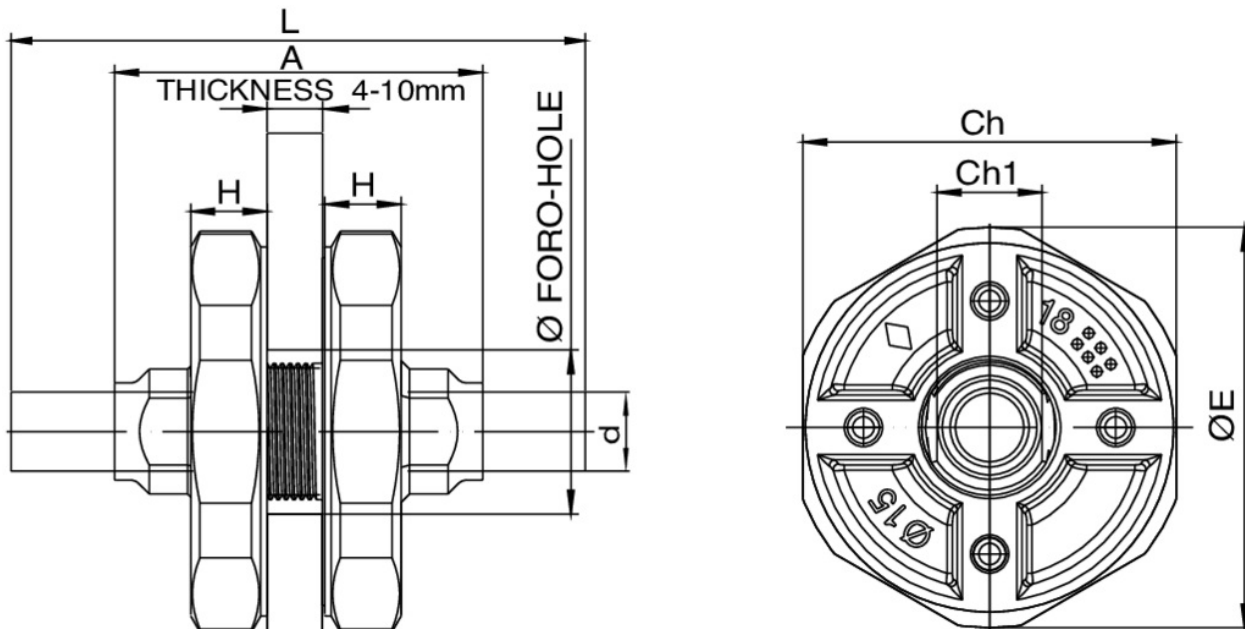




Deck/bulkhead watertight and fireproof pipe penetration class A0.

Technical specifications



| D | BOX | MASTER BOX | CODE | A | ØE | CH | CH1 | H | L | PN | Ø FORO Ø HOLE |
|-----|-----|------------|-----------|----|-----|-----|------|------|-----|----|---------------|
| 15 | 2 | 12 | 5N800015 | 70 | 76 | 71 | 20 | 14,5 | 150 | 16 | 29 |
| 22 | 2 | 12 | 5N800022 | 75 | 84 | 79 | 26,5 | 15 | 155 | 16 | 36 |
| 28 | 1 | 4 | 5N800028 | 77 | 93 | 87 | 33 | 15,5 | 160 | 16 | 42 |
| 35 | 1 | 4 | 5N800035 | 80 | 100 | 94 | 40 | 16 | 170 | 16 | 49 |
| 42 | 1 | 4 | 5N800042 | 81 | 108 | 101 | 47 | 16,5 | 175 | 16 | 56 |
| 54 | 1 | 2 | 5N800054 | 82 | 126 | 117 | 60 | 18 | 190 | 16 | 69 |
| 76 | - | 2 | 5N800076 | 84 | 148 | 139 | 82 | 19 | 290 | 16 | 91 |
| 88 | - | 4 | 5N800088 | 86 | 161 | 152 | 95 | 20 | 305 | 16 | 104 |
| 108 | - | 4 | 5N8000108 | 88 | 180 | 171 | 114 | 21 | 340 | 16 | 123 |

Applications



MARINE