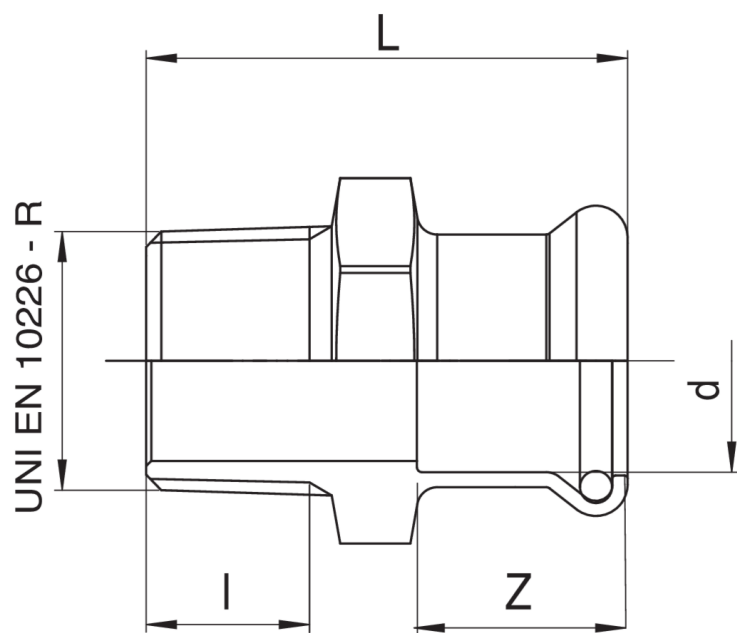


520000

Male adaptor.

Technical specifications

Drawing



Table

CODE	MASTER BOX	D-R	L	Z	L
5200001504	300	15	44	19	15
5200001505	200	15	46	19	16.3
5200001804	250	18	45	19.5	15
5200001805	200	18	47	19.5	16.3
5200002204	150	22	47	21	15
5200002205	150	22	46	21	16.3
5200002206	150	22	51	21	19.1
5200002805	150	28	50	22	16.3
5200002806	100	28	53	22	19.1

CODE	MASTER BOX	D-R	L	Z	L
5200002807	90	28	60	22	21.4
5200003506	90	35	59	27	19.1
5200003507	70	35	60	27	21.4
5200003508	60	35	61	27	21.4
5200004207	40	42	63	30	21.4
5200004208	40	42	63	30	21.4
5200005408	30	54	70	35	21.4
5200005410	28	54	73	35	25.7
5200007612	10	76.1	101	54	30.2
5200008814	10	88.9	108	61	33.3

Applications



DRINKING
WATER



HEATING



HVAC



COMPRESSED
AIR



INDUSTRIAL



MARINE