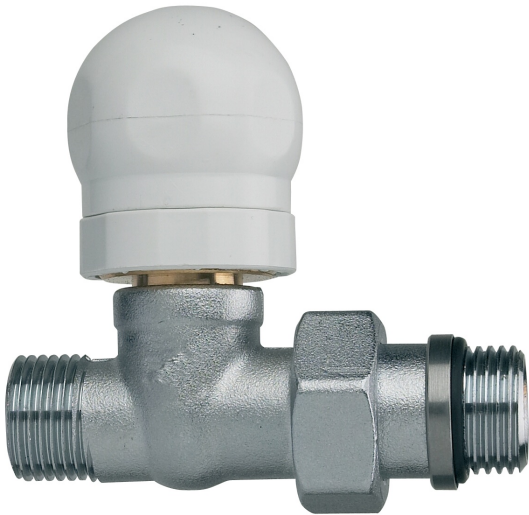
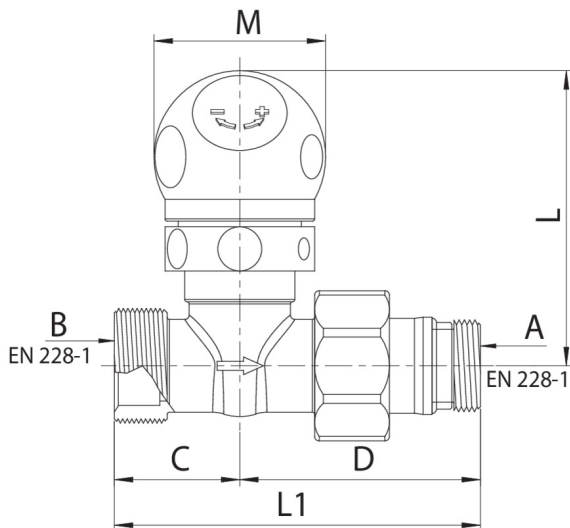


599000

Straight valve with thermostatic option copper multilayer pipe connections.



Technical specifications



TRATTAMENTO - TREATMENT	A	B	BOX	MASTER BOX	CODE	C	D	L	L1	M
Nichelato - Nickel plated	3/8"	1/2" x 16	15	90	5990000403	30	50	68	80	39
Nichelato - Nickel plated	1/2"	1/2" x 16	15	90	5990000404	30	53	68	83	39

Applications



DRINKING WATER



HEATING



HVAC



COMPRESSED AIR



INDUSTRIAL



MARINE