

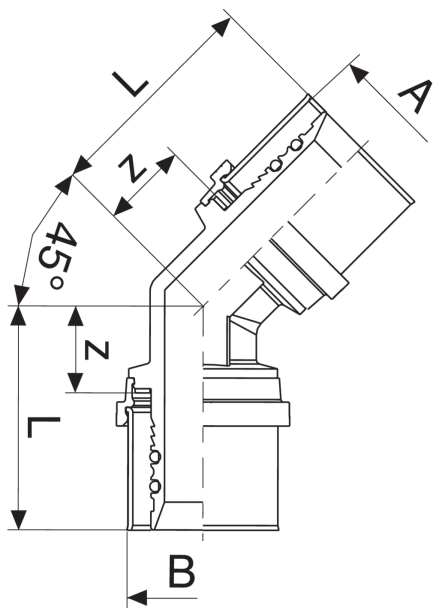
501400

PATENTED

Double elbow 45°.



## Technical specifications



A X B	SP	BAG	BOX	MASTER BOX	CODE	L	Z
26 x 26	3	5	20	80	50140026	47,5	16,5
32 x 32	3	5	15	60	50140032	52	19,5
40 x 40	3,5	1	10	40	50140040	49	23,5
50 x 50	4	1	6	24	50140050	60	26
63 x 63	4,5	1	2	8	50140063	65	31

## Applications



DRINKING  
WATER



HEATING



HVAC



COMPRESSED  
AIR



INDUSTRIAL



MARINE