

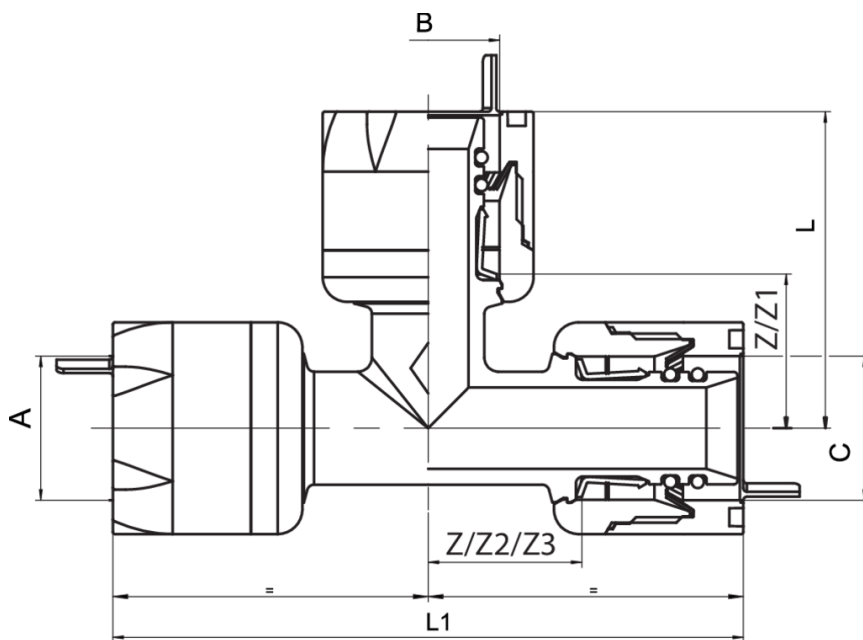
543400

PATENTED



TEE reduced in lateral position.

Technical specifications



A X B X C	SP	BAG	BOX	MASTER BOX	CODE	L	L1	Z1	Z2	Z3
20 x 20 x 16	2	1	15	60	543400202016	45	89	22	22	21,5
26 x 26 x 16	3-3-2	1	10	40	543400262616	51	98	26	26	24
26 x 26 x 20	3-3-2	1	10	40	543400262620	51	99	26	26	25

Applications



DRINKING
WATER



HEATING



HVAC



COMPRESSED
AIR



INDUSTRIAL



MARINE

