

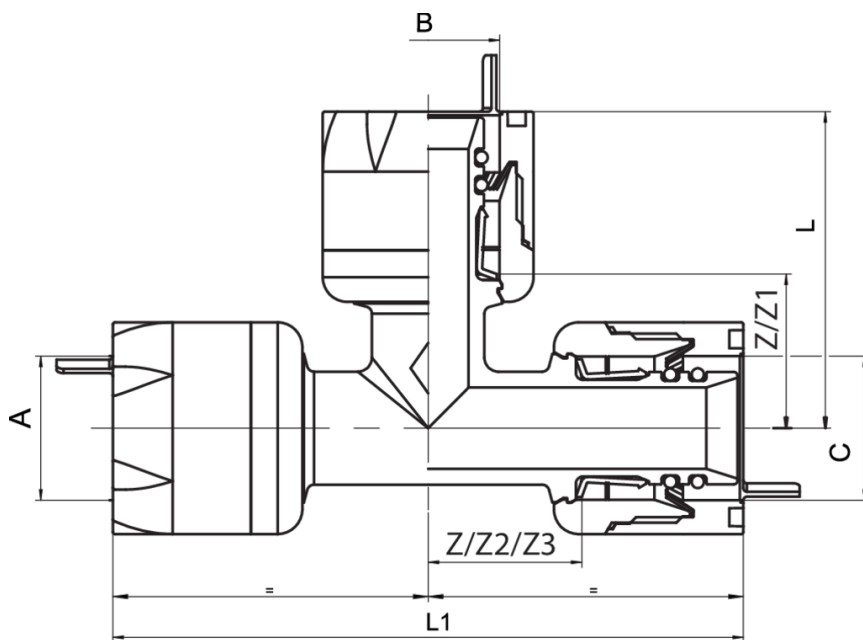
543300

PATENTED



TEE reduced in center position.

Technical specifications



A X B X C	SP	BAG	BOX	MASTER BOX	CODE	L	L1	Z1	Z2	Z3
20 x 16 x 20	2	1	15	60	543300201620	44,5	89,5	21,5	22	22
26 x 16 x 26	3-2-3	1	10	40	543300261626	47	102	24	26	26
26 x 20 x 26	3-2-3	1	10	40	543300262026	48	102	25	26	26

Applications



DRINKING
WATER



HEATING



HVAC



COMPRESSED
AIR



INDUSTRIAL



MARINE

