

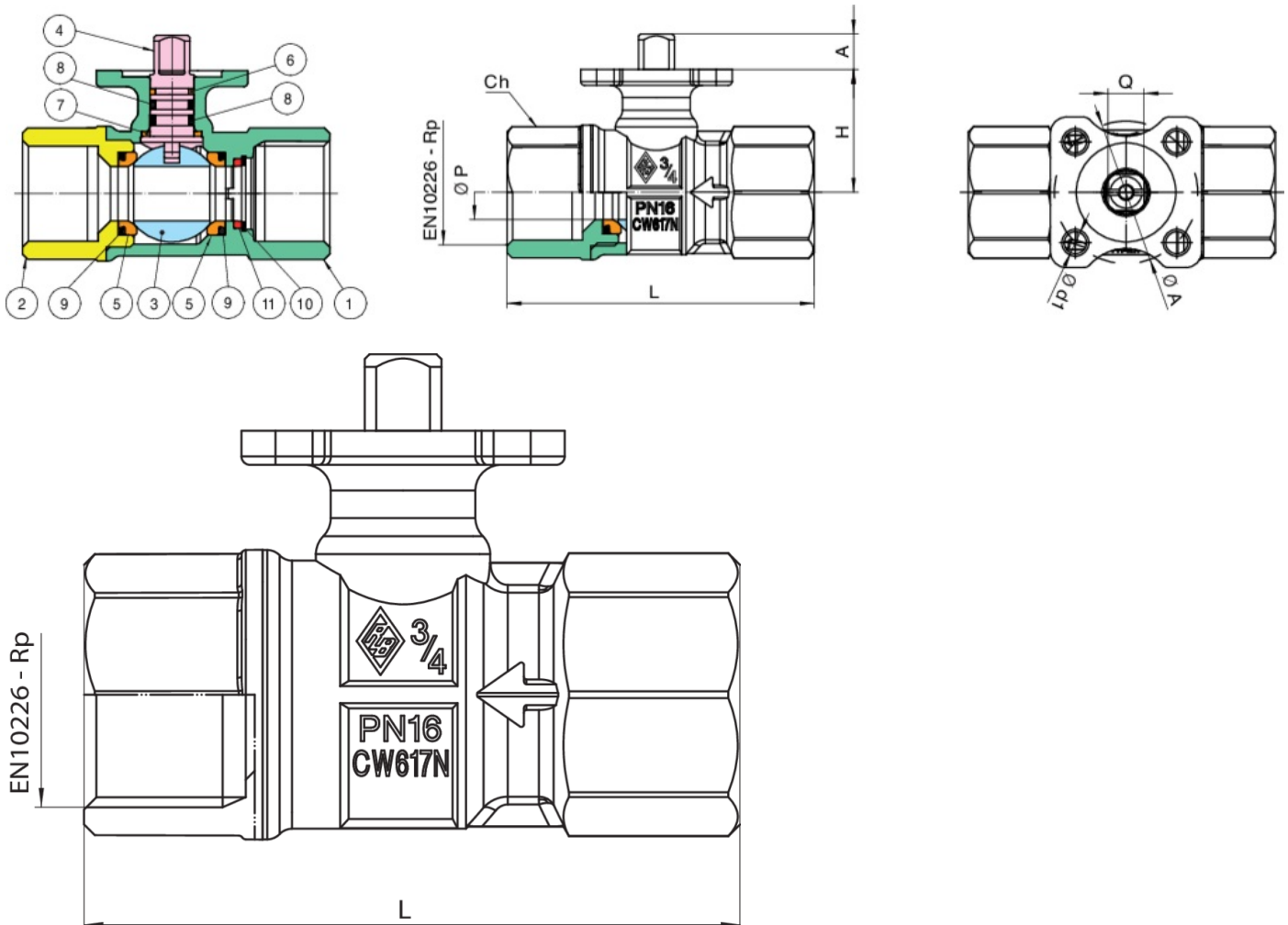
200500

2-way control valve with no characterizing disks (kit).



Technical specifications

Drawing



Materials

POSITION	PART NAME	MATERIAL	N.° PIECES
1	BODY	BRASS CW617N UNI EN 12420	1
2	END CONNECTION	BRASS CW617N UNI EN 12420	1
3	BALL	BRASS CW617N UNI EN 12420	1
4	STEM	BRASS CW614N UNI EN 12164	1
5	BALL SEAT	PTFE 15% GRAPHITE FILLED	2
6	THRUST WASHER	PTFE	1
7	THRUST WASHER	PTFE 15% GRAPHITE FILLED	1
8	O-RING	EPDM	2
9	O-RING	EPDM	2
10	CIRCLIP	ACC.INOX/S-STEEL AISI 420	1
11	CHAR DISK	PPA (AMODEL 1145 HS)	1

Table

CODE	SIZE	DN	UNITS PER BOX	MASTER BOX	KVS	L	PN	CONTROL DISK	KG	ØP	CH	H	ØA	A	Q
2005000400	1/2"	15	1	75	17	71.35	16	-	0.27	-	-	-	-	-	-
2005000401	1/2"	15	1	75	0.4	71.35	16	1	0.27	13.75	25	31	36	9	9
2005000402	1/2"	15	1	75	0.63	71.35	16	1	0.27	13.75	25	31	36	9	9
2005000403	1/2"	15	1	75	1	71.35	16	1	0.27	13.75	25	31	36	9	9
2005000404	1/2"	15	1	75	1.6	71.35	16	1	0.27	13.75	25	31	36	9	9
2005000405	1/2"	15	1	75	2.5	71.35	16	1	0.27	13.75	25	31	36	9	9
2005000406	1/2"	15	1	75	4	71.35	16	1	0.27	13.75	25	31	36	9	9
2005000407	1/2"	15	1	75	6.3	71.35	16	1	0.27	13.75	25	31	36	9	9
2005000408	1/2"	15	1	75	0.25	71.35	16	1	0.27	13.75	25	31	36	9	9
2005000500	3/4"	20	1	75	10.5	77.1	16	-	0.32	-	-	-	-	-	-
2005000501	3/4"	20	1	75	6.3	77.1	16	1	0.32	13.75	31	31	36	9	9
2005000502	3/4"	20	1	75	8.6	77.1	16	1	0.32	13.75	31	31	36	9	9
2005000503	3/4"	20	1	75	10	77.1	16	1	0.32	13.75	31	31	36	9	9
2005000504	3/4"	20	1	75	4	77.1	16	1	0.32	13.75	31	31	36	9	9
2005000600	1"	25	1	30	18.7	91	16	-	0.47	-	-	-	-	-	-
2005000601	1"	25	1	30	10	91	16	1	0.47	17.5	38	33	36	9	9
2005000602	1"	25	1	30	16	91	16	1	0.47	17.5	38	33	36	9	9
2005000603	1"	25	1	30	6.3	91	16	1	0.47	17.5	38	33	36	9	9
2005000700	1"1/4	32	1	16	27.9	103.75	16	-	0.79	-	-	-	-	-	-
2005000701	1"1/4	32	1	16	16	103.75	16	1	0.79	22.3	48	43.5	36	9	9
2005000702	1"1/4	32	1	16	25	103.75	16	1	0.79	22.3	48	43.5	36	9	9
2005000703	1"1/4	32	1	16	10	103.75	16	1	0.79	22.3	48	43.5	36	9	9
2005000800	1"1/2	40	1	16	25	105.05	16	-	0.9	-	-	-	-	-	-
2005000801	1"1/2	40	1	16	16	105.05	16	1	0.9	22.3	54	43.5	36	9	9
2005001000	2"	50	1	10	40	126.7	16	-	1.5	-	-	-	-	-	-
2005001001	2"	50	1	10	25	126.7	16	1	1.5	27.5	67	48	36	9	9

Notes

Temperature range: -5°C +100°C.

Applications



HVAC