

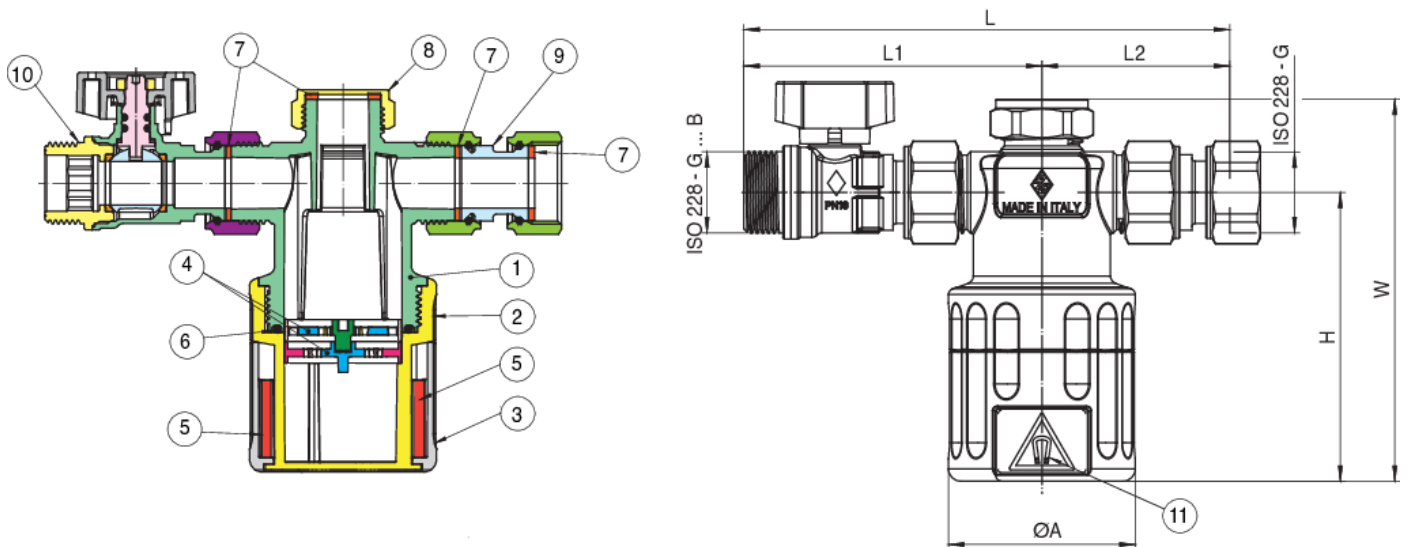
MAGNETO

300400



Magnetic dirt separator for condensing boilers, threaded connections according to ISO 228 G 3/4", with valve and connection.

Technical specifications



POSITION	PART NAME	MATERIAL	N.° PIECES
1	BODY	PA6.6	1
2	BOWL	PA6.6	1
3	MAGNET HOLDER	PA6.6	1
4	STRAINER	PA6.6	2
5	MAGNET	-	4
6	O-RING	EPDM	1
7	GASKET RING	EPDM	4
8	CAP	BRASS CW614N UNI EN 12164	1
9	CONNECTION	BRASS CW614N UNI EN 12165	1
10	VALVE	BRASS CW617N	1
11	LABEL	PE	1

SIZE	DN	BOX	MASTER BOX	CODE	COLORE COLOR	ØA	L	LI	L2	H	W	KV1	KV2	PN	KG
3/4"	20	1	8	30040005	NERO BLACK	60	156	95	61	93	123	4,8	5	3	0,51
3/4"	20	1	8	30041005	BIANCO WHITE	60	156	95	61	93	123	4,8	5	3	0,51

Temperature range: 0°C +90°C.

Kv1 Straight flow.

Kv2 Angle flow.

Applications



HEATING