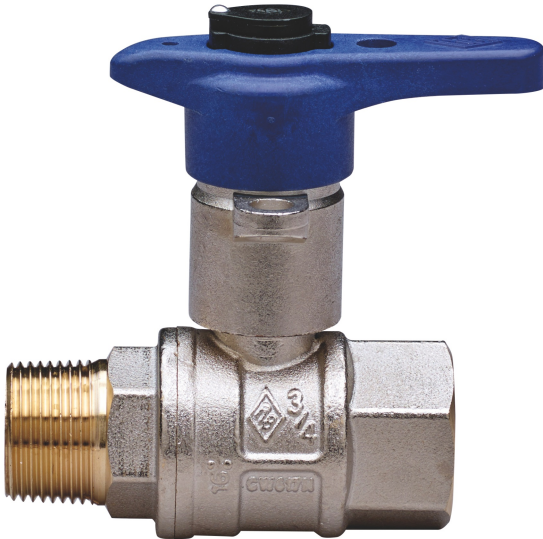


## BUBBLE-SFER

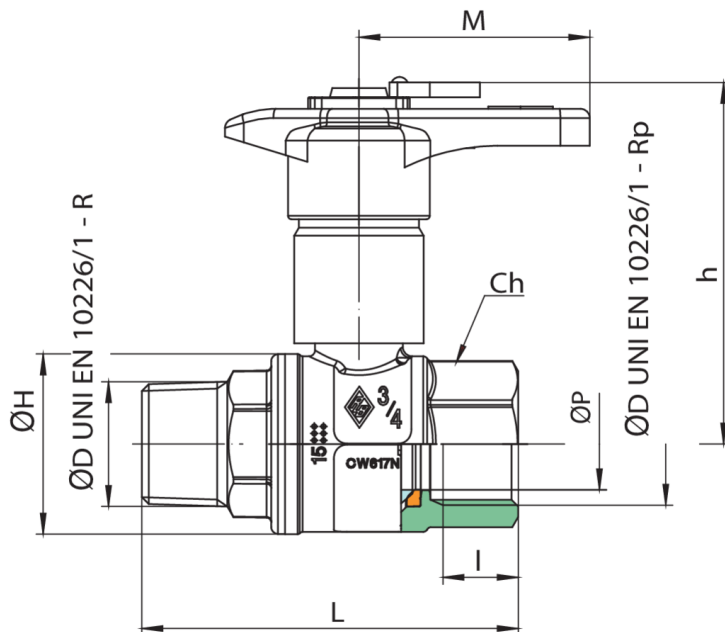
2061

**PATENTED**



Water full bore ball valve, M/F threads, technopolymer handle, extractable and replaceable security lock and ball with automatic rinse system.

### Technical specifications



## Multiutility

SIZE	DN	BOX	MASTER BOX	CODE	ØP	I	L	ØH	CH	M	H	KV	PN	KG
1/2"	15	20	80	2061040020	15	15	72,5	33	27	50	69	16,3	64	0,32
3/4"	20	20	80	2061050020	20	16,3	81,5	39	32	50	78	29,5	64	0,46
1"	25	20	40	2061060020	25	19,1	94,5	49	38	50	82	43	64	0,69

## Idrotermo sanitaria (ITS)

SIZE	DN	BOX	MASTER BOX	CODE	ØP	I	L	ØH	CH	M	H	KV	PN	KG
1/2"	15	5	20	2061040005	15	15	72,5	33	27	50	69	16,3	64	0,32
3/4"	20	5	20	2061050005	20	16,3	81,5	39	32	50	78	29,5	64	0,46
1"	25	5	10	2061060005	25	19,1	94,5	49	38	50	82	43	64	0,69

## Applications



DRINKING  
WATER



MULTIUTILITY ONLY