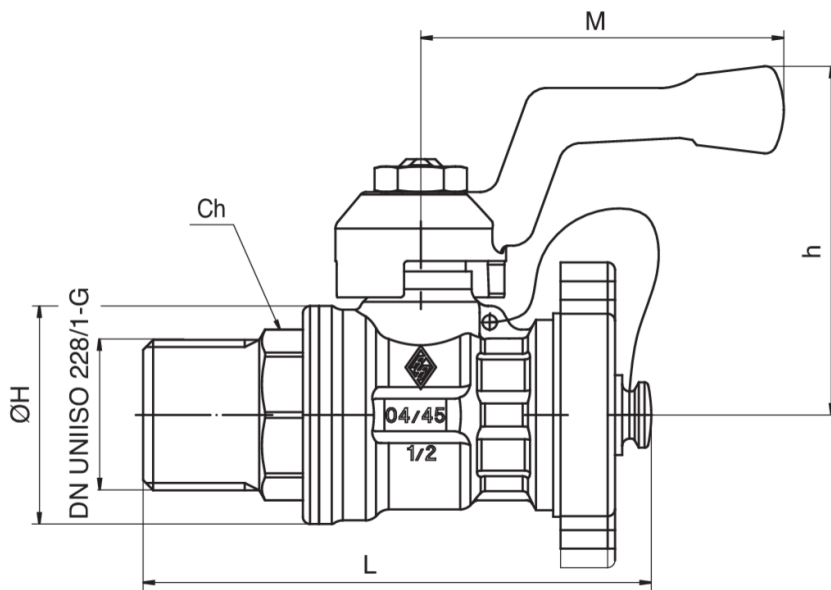


4561



Drain ball valve for heater, nickel plated, male threaded, with aluminium handle, cap and chain.

Technical specifications



SIZE	DN	BOX	MASTER BOX	CODE	ØH	CH	M	L	H	KV	PN	KG
1/2"	15	20	80	4561040000	30	22	50	70	48	16,3	30	0,19

Temperature range: -20°C +160°C.

Applications



DRINKING WATER



HEATING



HVAC



COMPRESSED AIR



INDUSTRIAL



MARINE