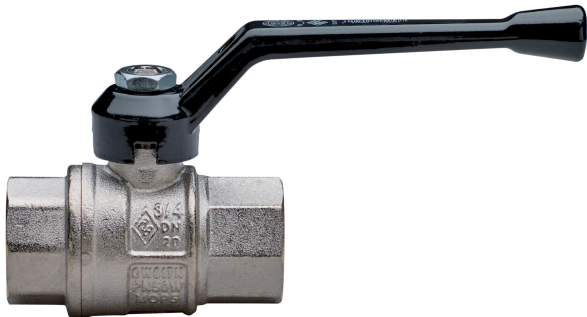
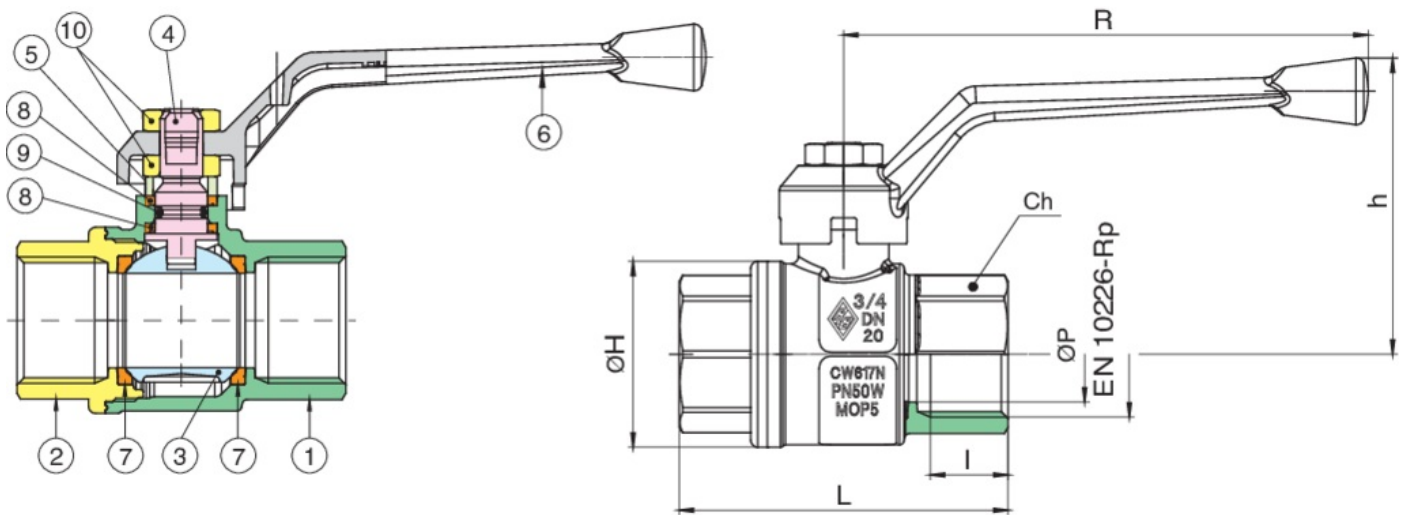


1700



Full bore ball valve, F/F threaded, with aluminium handle.

Technical specifications



POSITION	PART NAME	MATERIAL	N.° PIECES
1	BODY	BRASS CW617N UNI EN 12420	1
2	END CONNECTION	BRASS CW617N UNI EN 12420	1
3	BALL	BRASS CW617N UNI EN 12165	1
4	STEM	BRASS CW614N UNI EN 12164	1
5	PACKING GLAND	BRASS CW614N UNI EN 12164	1
6	HANDLE	ALUMINIUM EN-AC 46100 EN 1706	1
7	BALL SEAT	PTFE	2
8	STEM SEAL/THRUST WASHER	PTFE	2
9	O-RING	NBR	1
10	NUT	STEEL CL 04	2

SIZE	DN	BOX	MASTER BOX	CODE	ØP	I	L	ØH	CH	R	H	KV	PN	KG
1/4"	8	20	80	1700020000	10	11	51,5	23	20	95	46,5	5,4	64	0,14
3/8"	10	20	80	1700030000	10	11,4	51,5	23	20	95	46,5	6	64	0,12
1/2"	15	20	80	1700040000	15	15	62	33	25	95	50	16,3	64	0,20
3/4"	20	10	40	1700050000	20	16,3	69	39	31	110	62	29,5	50	0,33
1"	25	10	20	1700060000	25	19,1	83	49	38	110	66	43	50	0,51
1"1/4	32	6	12	1700070000	32	21,4	96	59	48	160	79	89	50	0,84
1"1/2	40	4	8	1700080000	40	21,4	108	73	54	160	85,5	230	40	1,24
2"	50	2	4	1700100000	50	25,7	127,5	86	67	170	103	265	40	1,96
2"1/2	65	2	4	1700120000	65	30,2	152	111	90	205	129	540	25	3,65
3"	80	-	4	1700140000	80	33,3	177	136	105	205	140	873	25	5,87
4"	100	-	2	1700180000	100	39,3	214	166	130	260	160	1390	25	10,49

Temperature range: -20°C +160°C.

Applications



DRINKING
WATER



HEATING



HVAC



COMPRESSED
AIR



INDUSTRIAL



MARINE