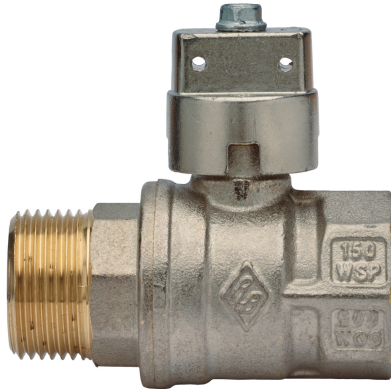


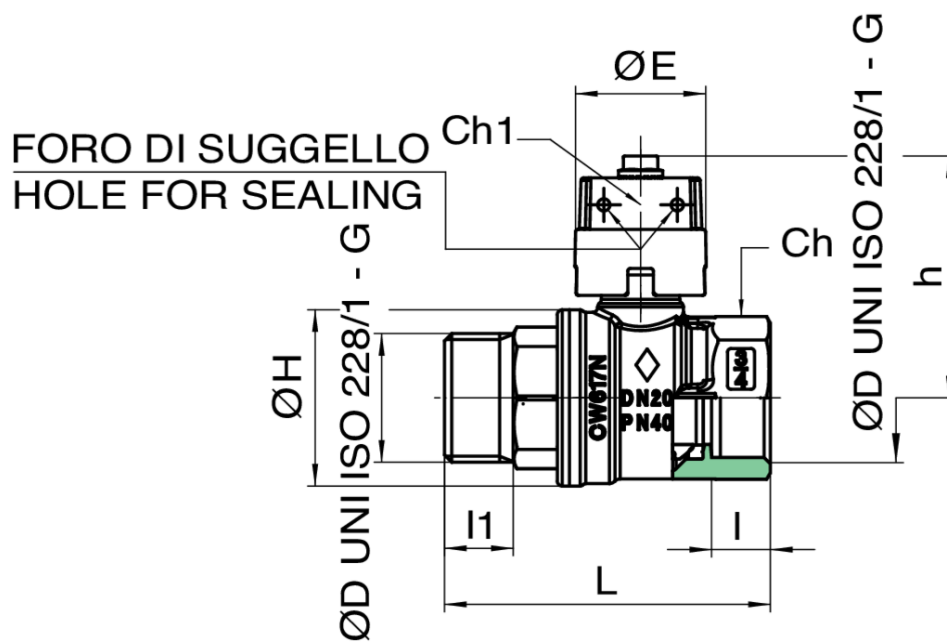
UNI-SFER

1581

Full bore ball valve, M/F threaded, with lockable cap.



Technical specifications



SIZE	DN	BOX	MASTER BOX	CODE	I	I1	L	ØH	CH	CH1	ØE	H	KV	PN	KG
1/2"	15	50	100	1581040000	12	13	59	30	22	12	23,5	41	16,3	30	0,17
3/4"	20	25	50	1581050000	12	14	66,5	36	31	12	27	49,5	29,5	30	0,27
1"	25	10	20	1581060000	14,5	15	77,75	43,5	38	12	27	52	43	30	0,41
1" 1/4	32	6	12	1581070000	16	17	91,25	53	48	12	32	62,5	89	25	0,69
1" 1/2	40	4	8	1581080000	18	18	104,75	65	67	12	32	68,5	230	25	0,98
2"	50	2	4	1581100000	19	22	121	80	54	18	40	81,5	265	25	1,64

Temperature range: -20°C +160°C.

Applications



DRINKING
WATER



HEATING



HVAC



COMPRESSED
AIR



INDUSTRIAL



MARINE