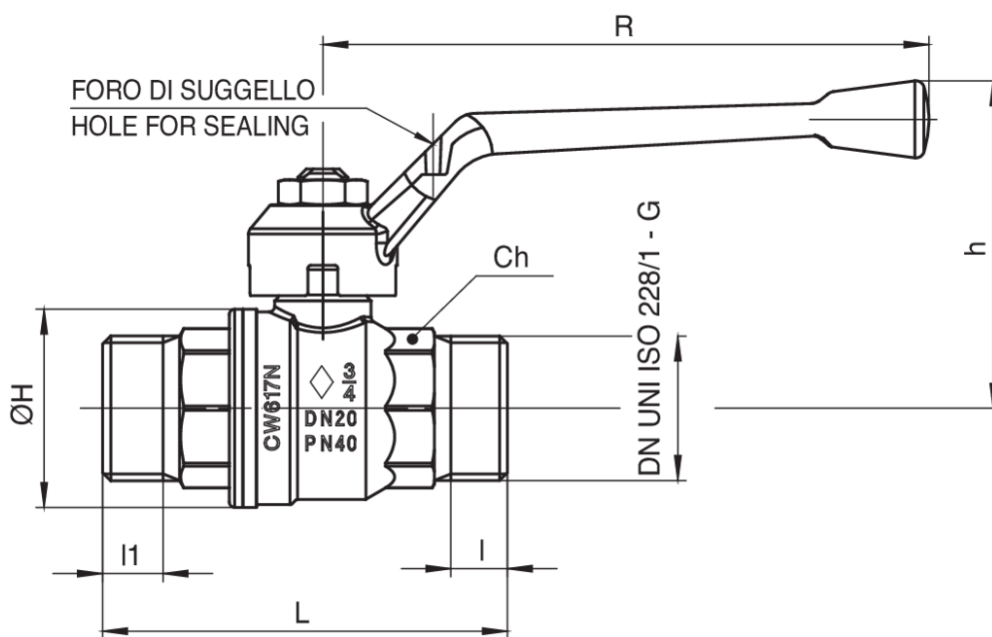


Full bore ball valve, M/M threaded, with aluminum handle.

## Technical specifications



SIZE	DN	BOX	MASTER BOX	CODE	I	L1	CH	ØH	L	H	R	KV	PN	KG
1/2"	15	20	80	1503040000	11,5	13	22	30	62,2	47,5	95	15,7	50	0,17
3/4"	20	10	40	1503050000	13,2	14	27	36	73,5	59,5	110	28	40	0,28
1"	25	10	20	1503060000	16,5	15	34	43,5	83,7	62	110	41,5	40	0,43

Temperature range: -20°C +160°C.

# Applications



DRINKING WATER



HEATING



HVAC



COMPRESSED AIR



INDUSTRIAL



MARINE