

FLY

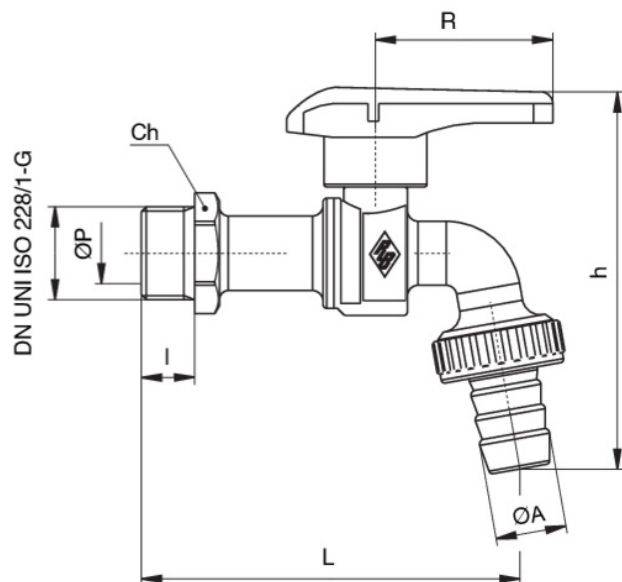
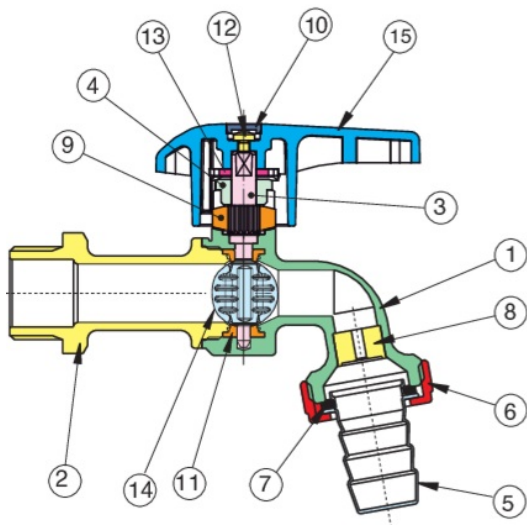
600700

PATENTED



Brass butterfly bib-cock full bore, with hose tail and throttling, technopolymer handle.

Technical specifications



POSITION	PART NAME	MATERIAL	N.° PIECES
1	BODY	BRASS CW617N UNI EN 12165	1
2	END CONNECTION	BRASS CW617N UNI EN 12165	1
3	STEM	BRASS CW614N UNI EN 12164	1
4	WASHER	BRASS CW614N UNI EN 12164	1
5	HOSE TAIL	BRASS CW617N UNI EN 12165	1
6	NUT	BRASS CW617N UNI EN 12165	1
7	FLAT SEAT	PVC	1
8	SPRAY NOZZLE	HDPE	1
9	HALF TURN STOP	POM	1
10	CAP	ABS	1
11	SEAT	EPDM	1
12	SCREW	STEEL DD11	1
13	WASHER	BRASS CW614N UNI EN 12164	1
14	DISC	PEI (ULTEM 1000)	1
15	HANDLE	PA6	1

SIZE	DN	BOX	MASTER BOX	CODE	ØP	I	CH	L	ØA	H	R	PN	KG
1/2"	15	10	40	60070004	12	12	25	90,5	15	96,5	50	16	0,24
3/4"	20	10	20	60070005	16,5	15	30	107	20	108,5	50	16	0,34
1"	25	10	20	60070006	18	18	38	118	26	123	50	16	0,51

Temperature range: -10°C +100°C.

Applications



DRINKING
WATER



HEATING



HVAC



COMPRESSED
AIR



INDUSTRIAL



MARINE