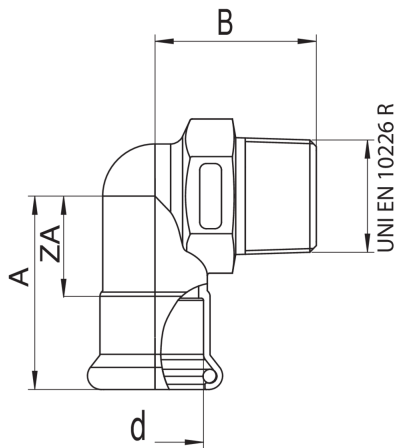




90° male angle adaptor.



## Technical specifications



D X R	BAG	MASTER BOX	CODE	A	B	ZA
15 x 1/2"	10	200	MXF92QA12015000	40	33	21
18 x 1/2"	10	150	MXF92QA12018000	40	33	20,6
22 x 3/4"	5	100	MXF92QA34022000	44,5	33,5	23,7
28 x 1"	5	50	MXF92QB01028000	50	44,5	28,5
35 x 1 1/4"	5	40	MXF92QB14035000	60	43,5	33,2
42 x 1 1/2"	2	28	MXF92QB12042000	66	48,5	36,2
54 x 2"	2	16	MXF92QC02054000	78	57,5	43,6

## Applications



DRINKING  
WATER



HEATING



HVAC



COMPRESSED  
AIR



FIREFIGHTING



MARINE



STEAM



SOLAR



INDUSTRIAL