

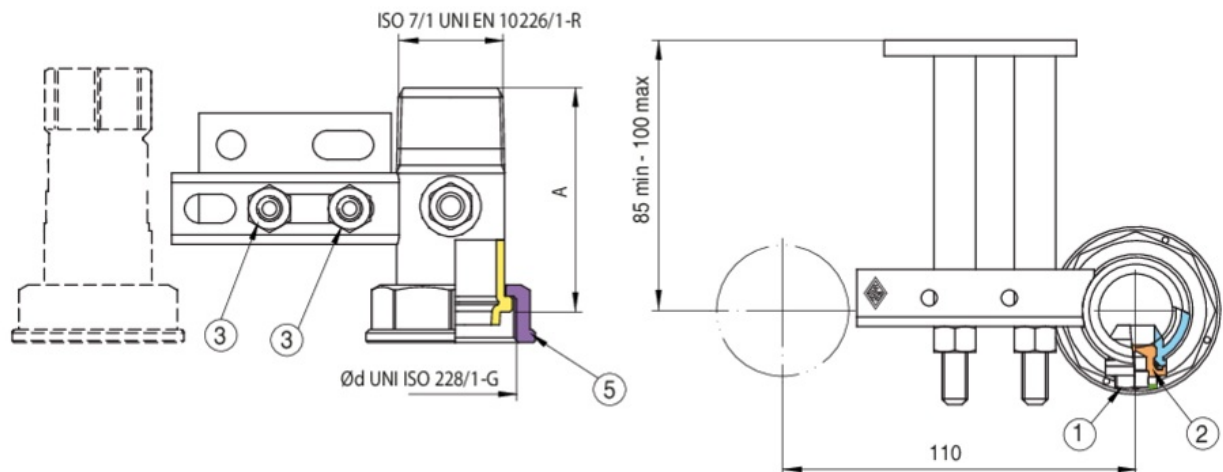
9F52



Steel cross beam, center distance 110 mm, with threaded EN 10226-1 union tail and pressure measurement connection, with dual column fixing plate.



Technical specifications



ØD X ØD	DN	BOX	MASTER BOX	CODE	A
1" x 1"1/4	-	-	25	9F52290000	70,5

Applications



GAS